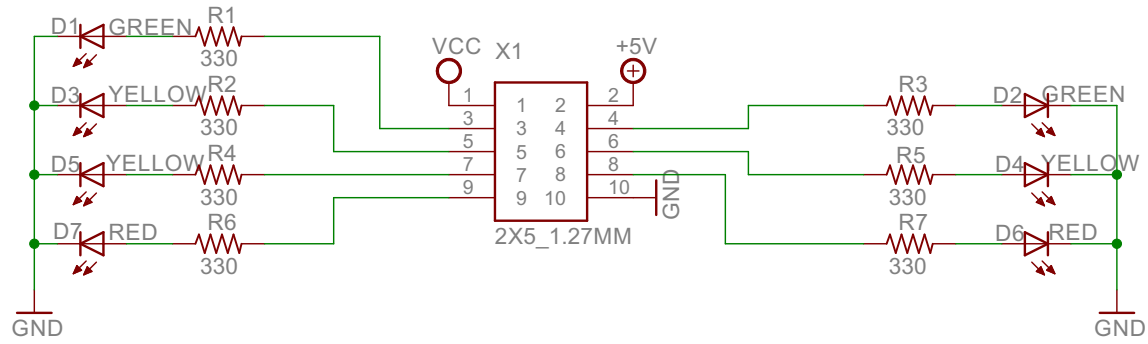


Version	Description	Date
1.0	Initial Release	1/29/2013
1.1	Made board 5mm wider, spread out LEDs and fixed silkscreen.	2/5/2013
1.2	Made minor tweaks to top silkscreen and labelled LED color.	3/5/2013



LED Strip Module			
GHI Electronics, LLC		LEDstrip	
		4/10/2013 11:31:28 AM	
		Sheet: 1/1	